

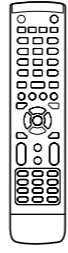

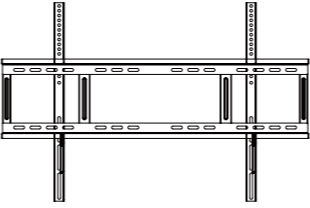
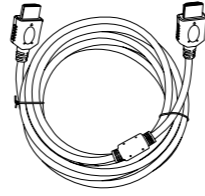


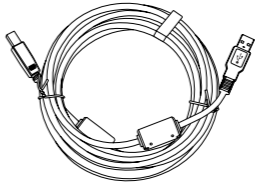

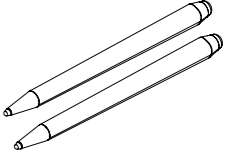
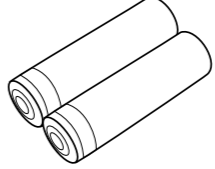
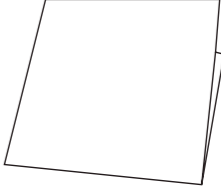
# NovoTouch

## Quick Start Guide

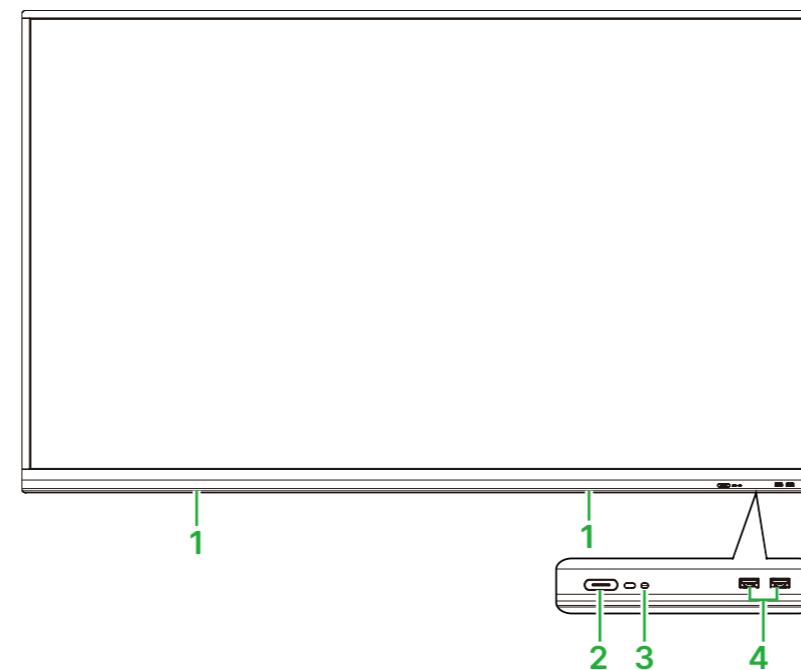
(For EK655i / EK755i / EK865i)

### Package Contents

		
Display	Wi-Fi USB Module	Remote Control
		
Power Cable	Wall Mount	HDMI Cable

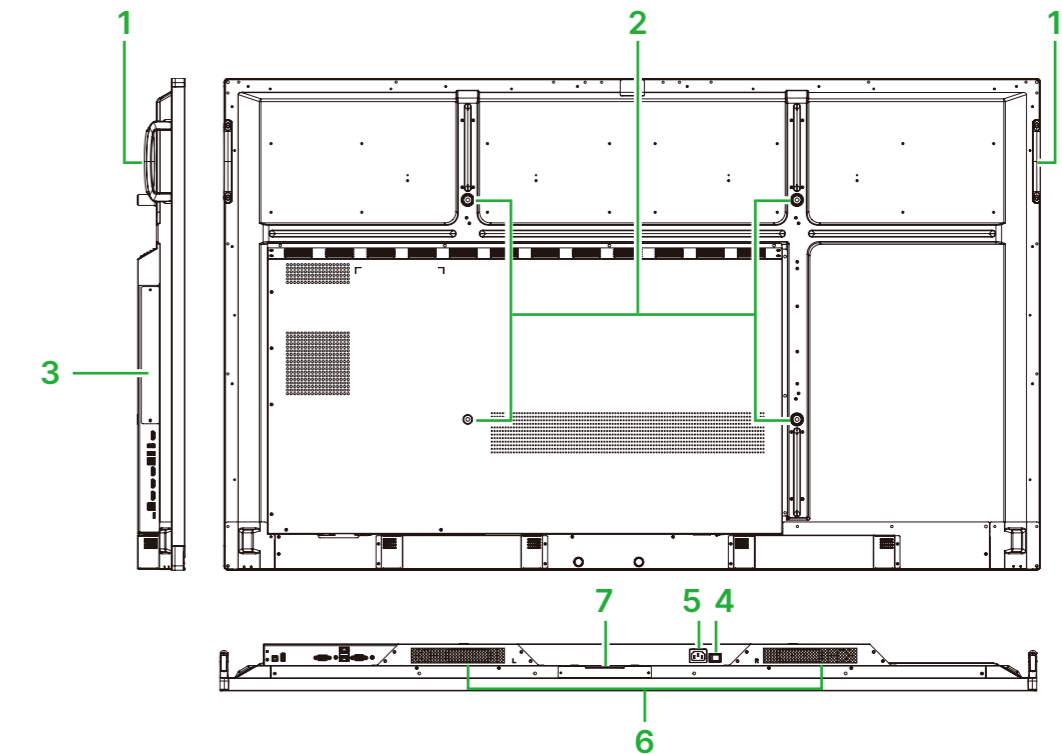
		
USB Cable	Audio Cable	Stylus x 2
		
Batteries	Quick Start Guide	

### Display Overview (Front)



- 1 Magnetic Stylus Holders
- 2 Power Button and Status Indicator LED
- 3 IR Sensor (for Remote)
- 4 USB 3.0 Port x 2

### Display Overview (Rear)



- 1 Handles
- 2 Wall Mount Screw Holes
- 3 80-Pin Standard Intel OPS Slot
- 4 Power Switch
- 5 Power Socket
- 6 Speakers
- 7 Wi-Fi Module Slot



**Vivitek America**  
 Vivitek Service Center  
 14910 Summit Drive  
 EASTVALE, CA. 92880  
 U.S.A  
 Tel: 855-885-2378 (Toll-Free)  
 Email : T.services1@vivitekc corp.com

**Vivitek Asia**  
 7F, No. 186, Ruey Kuang Road, Neihu, Taipei 11491,  
 Taiwan R.O.C.  
 T: +886-2-8797-2088  
 F: +886-2-6600-2358

**Vivitek Europe**  
 Zandsteen 15, 2132 MZ Hoofddorp  
 The Netherlands  
 T: +31-20-800-3960  
 F: +31-20-655-0999

www.vivitekc corp.com

#### ENERGY STAR



ENERGY STAR is a U.S. Environmental Protection Agency voluntary program that helps businesses and individuals save money and protect our climate through superior energy efficiency. Products that earn the ENERGY STAR prevent greenhouse gas emissions by meeting strict energy efficiency criteria or requirements set by the U.S. Environmental Protection Agency. The following logo appears on all ENERGY STAR-certified models: This product qualifies for ENERGY STAR in the "Standard mode" setting and this is the setting in which power savings will be achieved. Changing the Standard mode picture settings or enabling other features will increase power consumption that could exceed the limits necessary to qualify for ENERGY STAR rating. Refer to Energy Star.gov for more information on Energy Star program.

**Blue light protection** - Fully adjustable blue light filter  
**Flicker free** - Certified to TÜV Rheinland standard

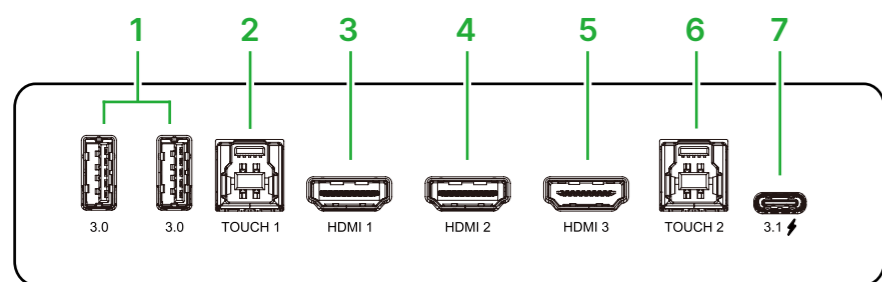


For more information, please visit  
 NovoTouch support website.

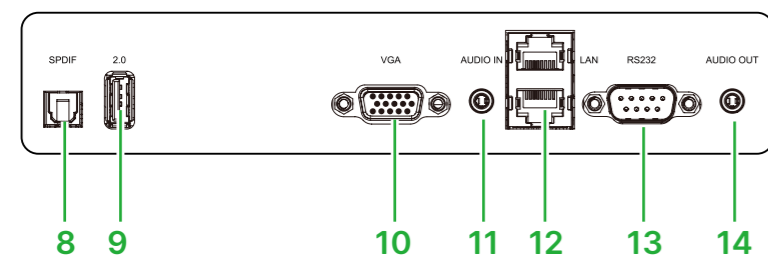
A brand of 

## Ports and Connectors

Right

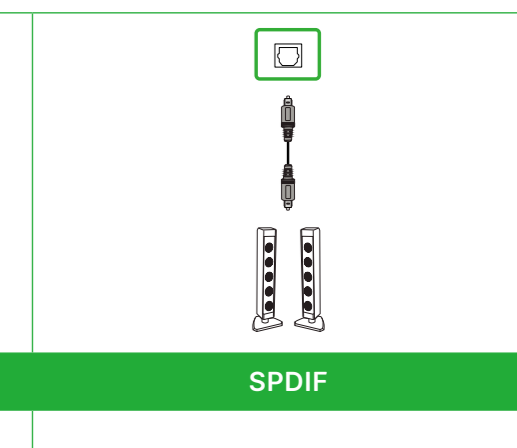
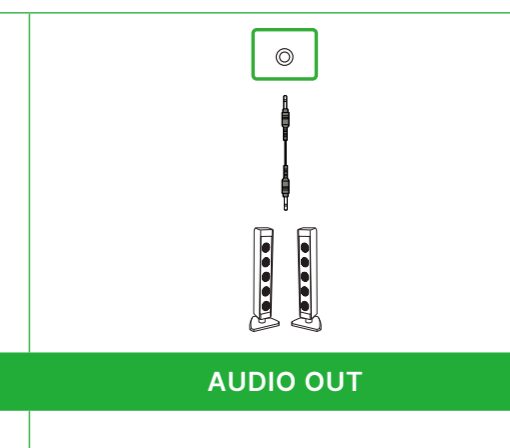
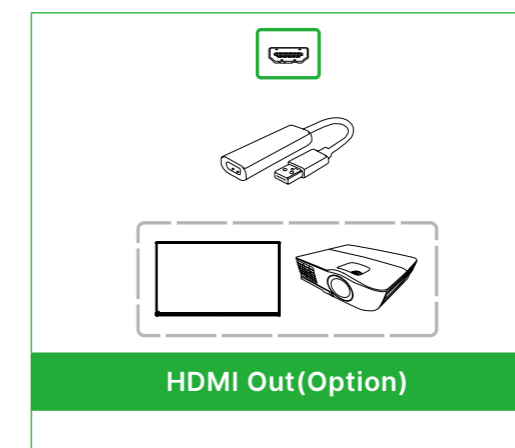
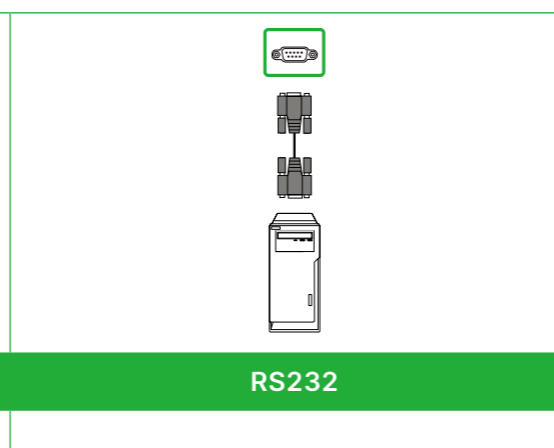
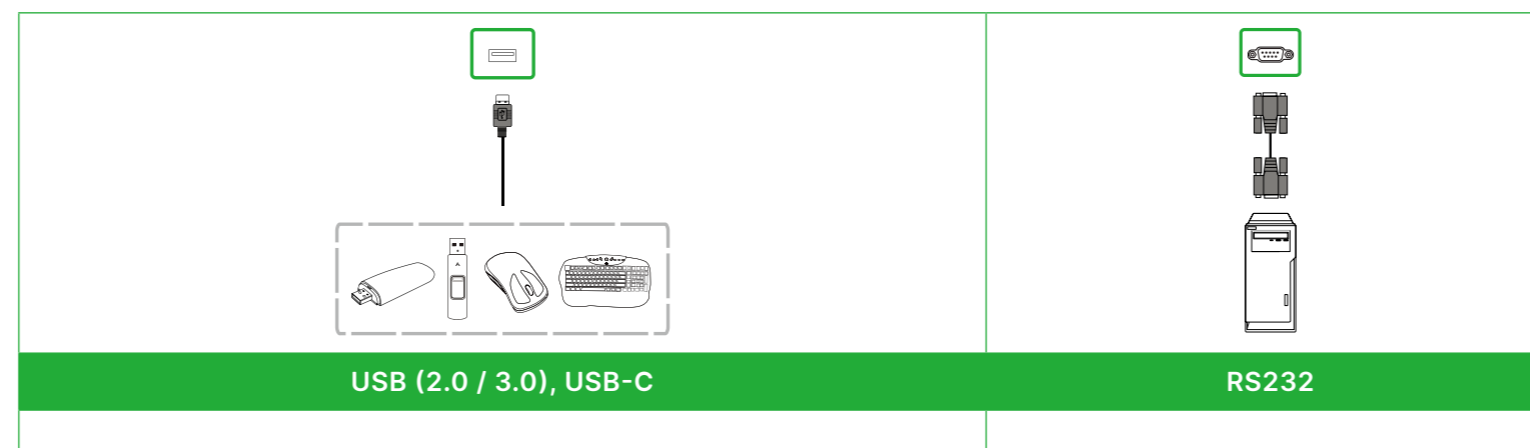
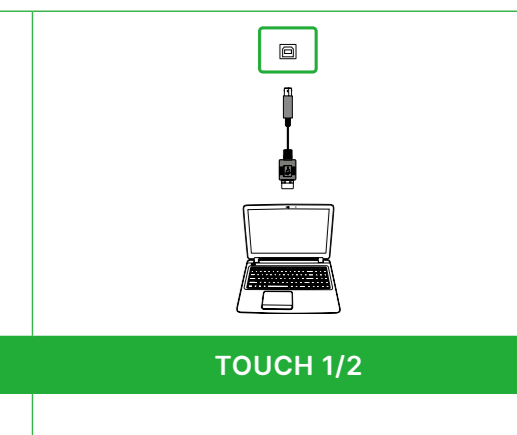
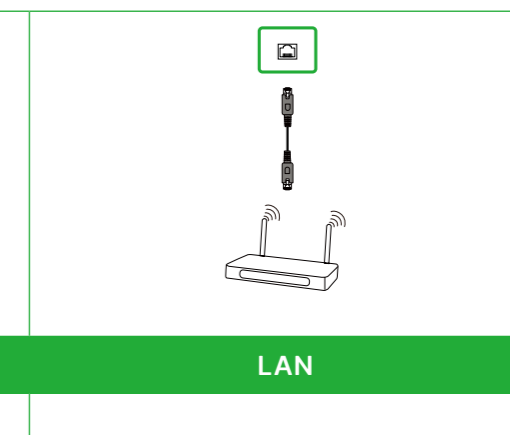
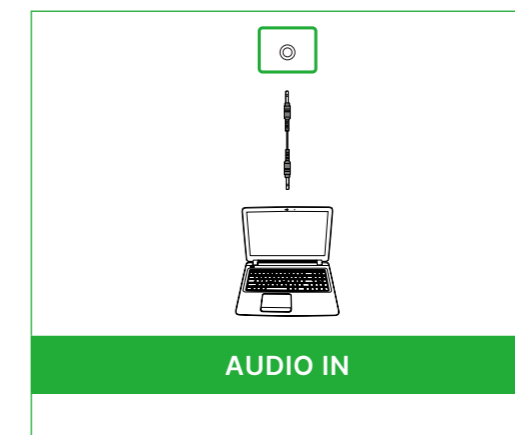
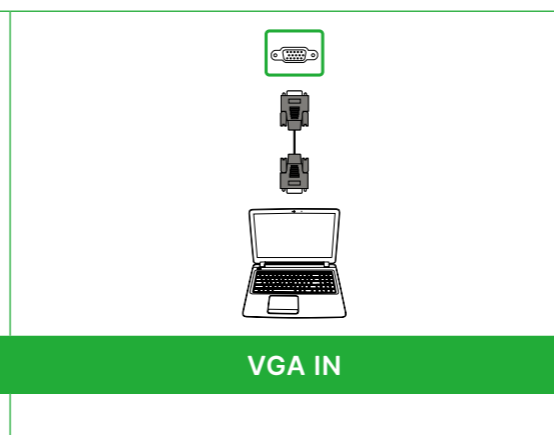
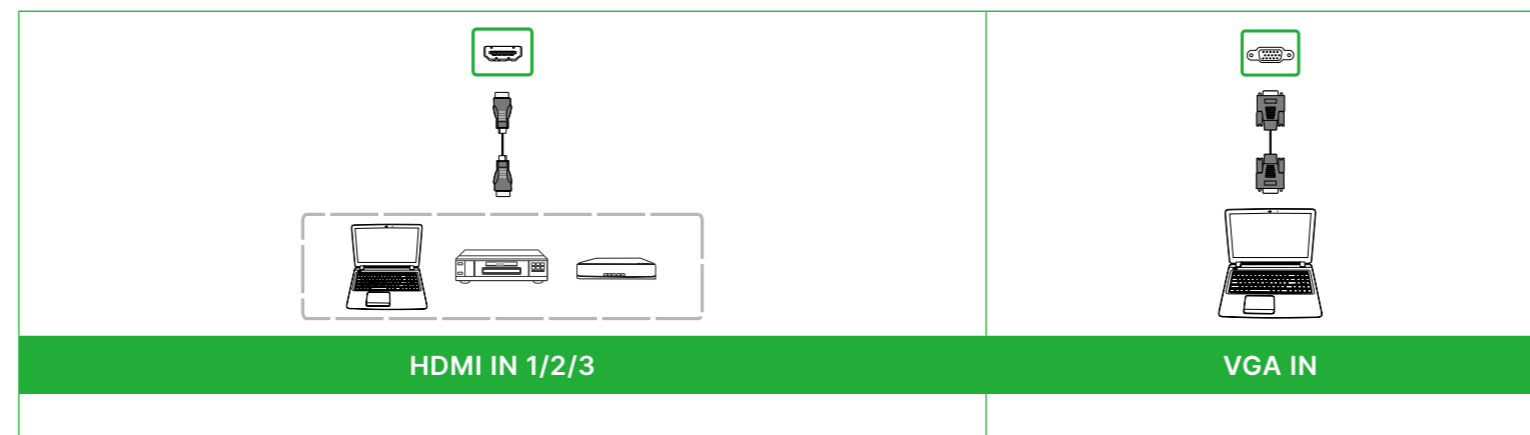


Bottom

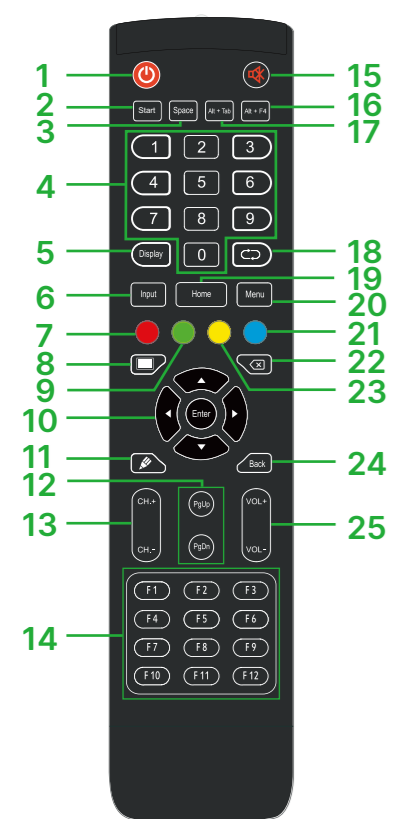


- |   |  |                   |
|---|--|-------------------|
| 1 USB 3.0 Ports x 2                     | 6 Touch 2 (USB-B) (for use with HDMI 3 Only) | 11 Audio In Jack  |
| 2 Touch1(USB-B) (for use with HDMI 1/2) | 7 USB-C                                      | 12 LAN Port       |
| 3 HDMI In Port 1                        | 8 SPDIF Port                                 | 13 RS-232 In Port |
| 4 HDMI In Port 2                        | 9 USB 2.0 Port                               | 14 Audio Out Jack |
| 5 HDMI In Port                          | 10 VGA In Port                               |                   |

## Connections



## Remote Control

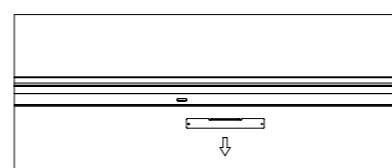


- |                                       |                            |
|---------------------------------------|----------------------------|
| 1 Power                               | 14 F1 - F12*               |
| 2 Start*                              | 15 Mute                    |
| 3 Spacebar*                           | 16 Close Window*           |
| 4 Numeric Keypad                      | 17 Switch Window*          |
| 5 Display Information Button          | 18 Function Button         |
| 6 Input Source                        | 19 Home Screen             |
| 7 Lock/Unlock Buttons and Touchscreen | 20 Settings Menu           |
| 8 Blank Screen                        | 21 Freeze Screen           |
| 9 Lock/Unlock                         | 22 Backspace               |
| 10 Navigation Buttons                 | 23 Lock/Unlock Touchscreen |
| 11 Quick Draw                         | 24 Back                    |
| 12 Page Up/Down*                      | 25 Volume +/-              |
| 13 Function Buttons                   |                            |

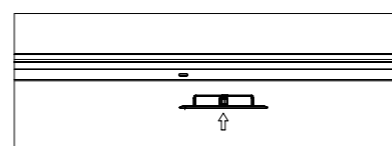
\*Only functional when the optional Windows OPS unit is installed into the display.

## Getting Started

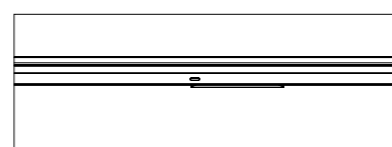
1. Take off the Cover.



2. Insert the WiFi module fully into the IFP along the direction of the arrow.

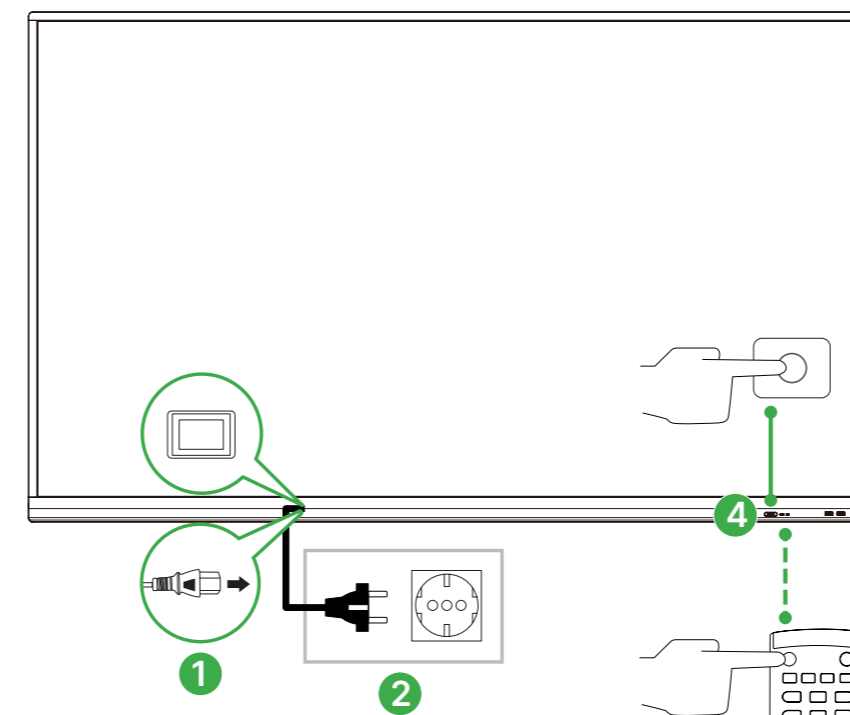


3. Complete assembly.

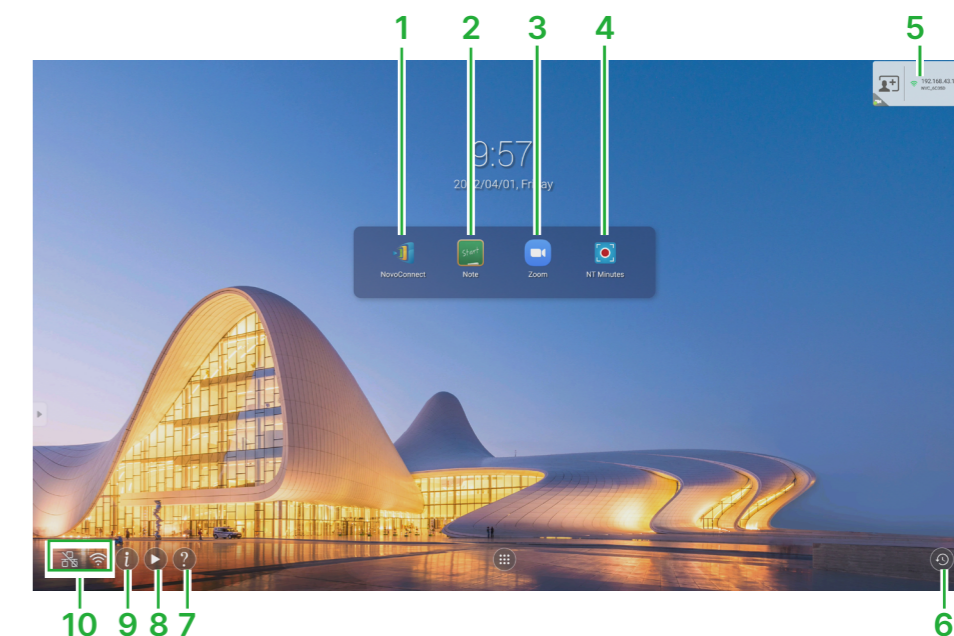


**Note: This WiFi module only works for Vivitek NovoTouch EK655i / 755i / 865i**

Plug the power cable into the display and a power source, turn the power switch on, and then press the power button.



## Home Screen



- |                                   |                                       |  |
|-----------------------------------|---------------------------------------|--|
| 1 NovoConnect App                 | 5 Session Information                 | 9 Session Information (Enable/Disable) |
| 2 Note Drawing App                | 6 Clear History                       | 10 Network Status                      |
| 3 Zoom                            | 7 Online Support                      |  |
| 4 NT Minutes Screen Recording App | 8 Digital Signage Playlist (AutoPlay) |  |