



DH3660Z
DU3661Z
DH3665ZN

A compact size laser projector
for meeting rooms

Overview

With weighting only 7kg, the D3600Z series is a compact laser projector and offers up to 5,000 lumens of brightness, designed for meeting room installation without unnecessary bulk burden. This series comes with up to three HDMI ports and HDBaseT (DU3661Z only) with a wide 1.5x Zoom ratio and vertical lens shift for easy installation convenience and flexibility. Also, the DH3665ZN is embedded with collaborative tools for wireless presenting, screen mirroring, annotation and moderation functions and able to display/share four user's screen simultaneously.



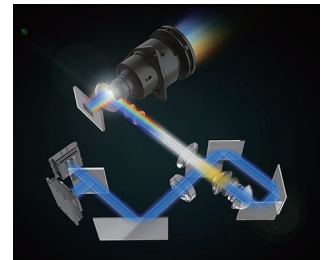


Key feature



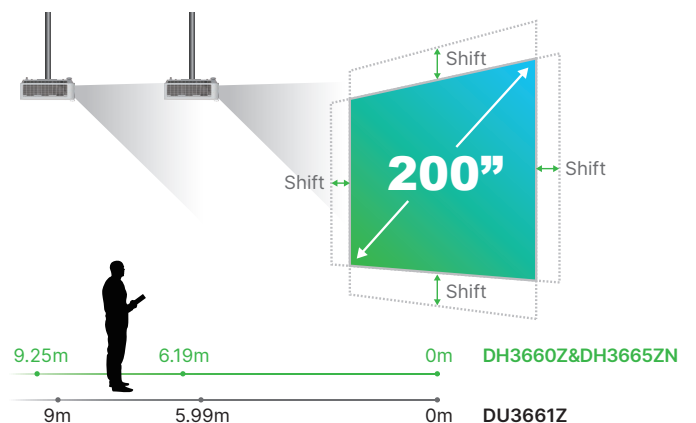
Brightness and Color Performance

The D3600Z series provides up to 5,000 lumens of high brightness, 3,000,000:1 contrast ratio and features the latest color technology to deliver a perfect image display.



1.5X Zoom Range

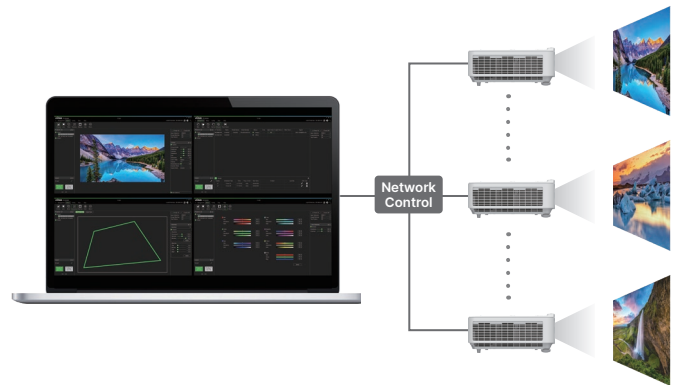
The D3600Z series is equipped with a 1.5X big zoom optical lens and supports a throw ratio of 1.39 to 2.09:1. It can provide flexible projection distance installation in any challenging environments. With the horizontal/vertical lens shift, even if the projector cannot be placed in the middle position, it can be flexibly adjusted to provide a perfect ratio image.



PJ-Control Tool



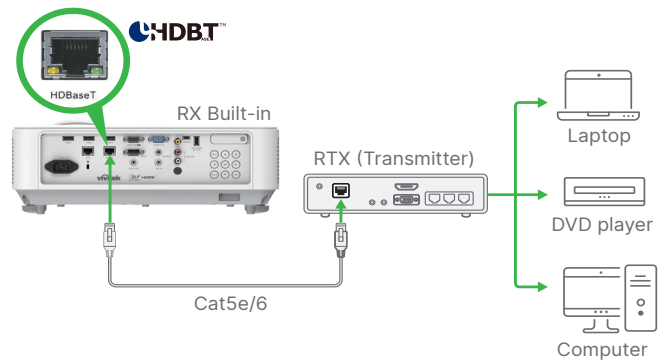
Vivitek's PJ-Control software is a tool for controlling Vivitek projectors. It can be used to manage multiple projectors, helping users control viewing options, settings, and scheduling, and it also allows for the adjustment of display features over a network.



Supports HDBaseT Connectivity (DU3661Z only)



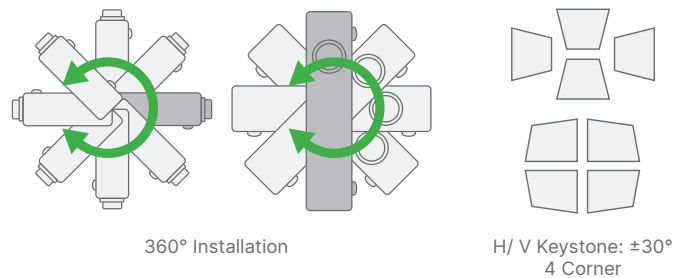
The DU3661Z has built-in HDBaseT™ interface for long-distance signal transmission of high-quality audiovisual content. HDBaseT™ reduces cabling requirements and installation, saving time and costs.



Flexible Installation



Supports 360° no limitation on projection angle, vertical / horizontal keystone, and 4-corner geometric adjustment, allowing for almost unlimited mounting flexibility.



24/7 Operation



Vivitek's laser light source is good for 30,000 hours of operation in Eco Mode and support continuous 24/7 operation. It delivers high stability and reliability for commercial applications.

Eco Friendly Design



All components and materials in Vivitek's projectors follow the green guidelines of RoHS. The projector is used laser light source for up to 30,000 hours(Eco Mode), guaranteeing a long service life which greatly reduces energy consumption and maintenance costs.



Low Power Mode



Certifications

Specifications

Model	DH3660Z	DH3665ZN	DU3661Z
Display Type	DLP Single Chip 0.65"		DLP Single Chip 0.67"
Brightness*	4,500 Lumens		5,000 Lumens
Native Resolution	FHD (1920×1080)		WUXGA (1920×1200)
Dynamic Contrast Ratio	3,000,000:1		
Light Source	Laser		
Light Source Life (Normal / Eco)	30,000 / 20,000 hrs		
Aspect Ratio	16:9		16:10
Throw Ratio	1.39 - 2.09:1		
Zoom Ratio	1.5:1		
Keystone Correction	Vertical: ±30°, Horizontal ±30°		
Lens Shift (Manual)	115% ~ 128%		108.5% ~ 120.2%
Projection Offset (Vertical)	115%		108.5%
Projection Size	26" ~ 325"		
Speaker	10W		
Horizontal Frequency	15, 31 ~ 91.4kHz		
Vertical Frequency	24 ~ 30Hz, 47 ~ 120Hz		
3D Compatibility	Yes		
I/O Ports	HDMI x3 VGA-In (15pin D-Sub) x1 Composite Video x1 VGA-Out (15pin D-Sub) x1 Audio-In (RCA) x1 Audio-In (Mini-Jack) x1 Audio Out (Mini-Jack) x1 RJ45 (LAN) x1 RS-232 x1 USB Type A Power (5V/1.5A) x1 USB miniB (Service) x1 Microphone In (Mini-Jack) x1	HDMI x2 VGA-In (15pin D-Sub) x1 Composite Video x1 VGA-Out (15pin D-Sub) x1 Audio-In (RCA) x1 Audio-In (Mini-Jack) x1 Audio Out (Mini-Jack) x1 RJ45 (LAN) x1 RS-232 x1 USB 2.0 x2 USB Type A Power (5V/1.5A) x1 USB miniB (Service) x1 Microphone In (Mini-Jack) x1	HDMI x3 VGA-In (15pin D-Sub) x1 Composite Video x1 VGA-Out (15pin D-Sub) x1 Audio-In (RCA) x1 Audio-In (Mini-Jack) x1 Audio Out (Mini-Jack) x1 RJ45 (LAN) x1 RS-232 x1 RJ45(HDBaseT) x1 RS-232 x1 USB Type A Power (5V/1.5A) x1 USB miniB (Service) x1 Microphone In (Mini-Jack) x1
Security Solutions	Kensington® Security Slot, Security Bar, Keypad Lock		
Projection Method	Table Top, Ceiling Mount (Front or Rear)		
Dimensions (WxDxH)	W/Feet: 395 x 340 x 150mm (15.5" x 13.4" x 5.9") W/O Feet: 395 x 340 x 135mm (15.5" x 13.4" x 5.3")		
Weight	7 kg (15.4lbs)		
Power Supply	AC 100-240V, 50/60Hz		
Power Consumption	330W (Normal Mode), 260W (Eco. Mode), <0.5W (Standby Mode), <2W (LAN Standby Mode)	340W (Normal Mode), 270W (Eco. Mode), <0.5W (Standby Mode), <2W (LAN Standby Mode)	340W (Normal Mode), 270W (Eco. Mode), <0.5W (Standby Mode), <2W (LAN Standby Mode)
Standard Accessories	AC Power Cord, VGA Cable, Remote Control, USB Wireless Dongle, Documentation Kit		
Optional Accessories	N/A		

- * 1. Using Standard Lens
- 2. Brightness specifications are in compliance with ISO 21118 standards



Visit www.vivitekc corp.com for more product info
Copyright (c) 2023 Delta Electronics, Inc. All Rights Reserved

A brand of  DELTA